

SECLI Ver.2.3 Spare parts order user's guide Rev.1.0.3

Machines Spare parts S.P. Order Client man. Reports Invoices Users Interface End work

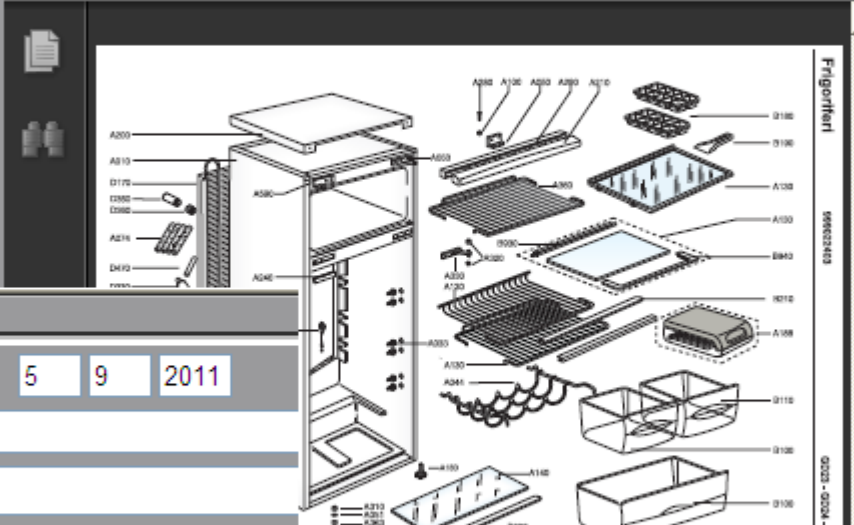
EXPLODED VIEWS:032568038-FRDP PHIT GDX24H AT PHILCO AFR252TLE-E I 220-240V 50HZ

Table type: Exploded views

Pg.:1/1 Line:5/7

Part Contains Filter

| Part | Description | Type |
|-------------|-------------|------|
| 999016340 | | TV |
| 999016380 | | TV |
| 999016384 | | TV |
| 999016393 | | TV |
| ▶ 999022403 | | TV |
| 999029004 | | TV |



SPARE PARTS ORDER

Number: 7921 2010 Date 5 9 2011

Note

Your ref.

Destination

Change header Confirm/Print ord

Spare parts schedule **Print date:**

Finished Product: 010005003 LBCF ATLA 5C60X ATLANTIC LF455TX I220V 50HZ 859960080

| Code R6 | Old Code | Description | Spare | Draw.Code | Description | End Val. |
|-------------|-----------|-------------|-----------|-----------|------------------------------|----------|
| ▶ 516008000 | 516008000 | TIMER | 651000232 | CFA040 | HINGE | 31/12/ |
| | | | 651000405 | CFC050 | SOFTENER TRAY GRID | 11/12/ |
| | | | 651000529 | CFB750 | FASCIA REINFORCEMENT BRACKET | 31/12/ |

Please be aware that this document updates continuously, therefore always check the version number for any updates or changes

INTRO

The application allows the user to:

- 1) Check spare parts list, identify the chosen item by code, description, or through exploded views of machines where the part is fitted, etc.;
- 2) Place a spare part order;
- 3) Check order situation (i.e. outstanding orders);

The above actions are carried out through a Web Browser (I.e. Internet Explorer) and an Internet Connection; No other software needs to be installed on the Pc.

Requirement

Hardware:

Last generation Pc with Internet connection, broadband recommended.

Software:

Internet browser

Please note:

Popup have to be allowed, or to be configured to accept POPUP from supplier website, if POPUP are not allowed the system will not work properly.

IFRAME have to be allowed too, or as mentioned above the system will not work properly.

On Internet Explorer, from menu; Tools/Internet

Options/Security/Custom Level, make sure that the three choices on the Downloads are on "Enable".

Software able to display PDF files, I.e. Adobe Acrobat Reader, any version will do for as long as it enables browser pages to be displayed.

ACCESS FORM



The image shows a login form titled "Login" on a grey background. Below the title is a horizontal orange line. There are three input fields: "Utente" (User), "Password", and "Lingua" (Language). The "Lingua" field is a dropdown menu currently showing "Italiano". Below the fields are two buttons: "Conferma" (Confirm) and "Annulla" (Cancel).

After connection, at the beginning will appear "FORM" see picture.

Fill the fields with the correct information (previously sent from supplier)

Click on [**Confirm**]

After a few second a new page will appear

The screenshot displays the 'MACHINE LIST' interface. At the top, there is a navigation bar with tabs: Machines, Spare parts, S.P. Order, Client man., Reports, Invoices, Users, Interface, and End work. Below this is a search and filter section with 'Pg.:1/221', 'Line:1/4402', and a search box containing 'Opzioni'. A table lists machine details:

| Code | Type | Description |
|-----------|-------------------------------|--|
| 010005003 | Front-loading washing machine | LBCF ATLA 5C60X ATLANTIC LF455TX I220V 50HZ 859960080666 |
| 010005005 | Front-loading washing machine | LBCF ATLA 4C60 ATLANTIC LF654 I 220-230V 50HZ 859960080668 |
| 010005006 | Front-loading washing machine | LBCF ATLA 4C60 ATLANTIC LF654T I 220-230V 50HZ 859960080669 |
| 010005012 | Front-loading washing machine | LBCF ATLA 4C60GX ATLANTIC LF454TX-1I 230V 50HZ 859960080751 |
| 010005016 | Front-loading washing machine | LBCF ATLA 5C60GX ATLANTIC LF500TX I230V 50HZ 859960080761 |
| 010005017 | Front-loading washing machine | LBCF ATLA 4C60GX ATLANTIC LF400TX I230V 50HZ 859960080762 |
| 010005018 | Front-loading washing machine | LBCF ATLA 4C60 ATLANTIC LF400 I 230V 50HZ 859960080763 |
| 010005019 | Front-loading washing machine | LBCF ATLA 4C60 ATLANTIC LF400T I 230V 50HZ 859960080764 |

On the right, the 'Machine selected' sidebar shows the code 010005003 and the description: LBCF ATLA 5C60X ATLANTIC LF455TX I220V 50HZ 859960080666. Below this are two buttons: 'Spare parts schedule' and 'Exploded views'. At the bottom of the interface, there is a footer with '(c) Futura Software Fabriano' on the left and '05 September 2011 15:51 Lang:2 - Vers: 2.3.4 - OL' on the right.

Main menu tool bar

Display grid/Data search

MAIN MENU TOOL BAR

It allows to select different sessions on the system

Example: In order to open the session of complete Spare Parts List click on [**Spare Parts**]

Please note:

The application is COMPLETELY based on WEB, therefore when you click on the menu' on the top (I.e. Machines) while filling an order, the system will open the session MACHINES. The same will happen when you click on the Back button of the browser.

Avoid using the Back button unless it is related with current page.

MACHINES (SESSION)

Browsing buttons. From the left: go to first page, previous page, next page, last page

In order to go to the N.X. page, digit X and Click

The screenshot shows the 'MACHINE LIST' interface. At the top, there is a navigation bar with buttons: 'Machines', 'Spare parts', 'S.P. Order', 'Client man.', 'Reports', 'Invoices', 'Users', 'Interface', and 'End work'. Below the navigation bar is the 'MACHINE LIST' section. It features a table with columns: 'Code', 'Type', and 'Description'. The first row is selected. To the right of the table is a 'Machine selected' panel showing details for the selected machine (010009002) and buttons for 'Spare parts schedule' and 'Exploded views'. At the bottom, there is a footer with copyright information and system status.

| Code | Type | Description |
|-----------|-------------------------------|--|
| 010009002 | Front-loading washing machine | LBCF BOMP 5C60 BOMPANI 2771 I 220V50HZ |
| 010009003 | Front-loading washing machine | LBCF BOMP 5C60 BOMPANI 2773 I 220V50HZ |
| 010009009 | Front-loading washing machine | LBCF BOMP 5C60 BOMPANI 2775 I 220V50HZ |
| 010009010 | Front-loading washing machine | LBCF BOMP 5C60 BOREAL 2885 I 220V 50HZ |
| 010009011 | Front-loading washing machine | LBCF BOMP 5C60 BOMPANI 2776 I 220V50HZ |
| 010009033 | Front-loading washing machine | LBCF BOMP 5C60 BOREAL BR02804A I 220-230V 50HZ |
| 010009042 | Front-loading washing machine | LBCF BOMP 8C60X BOMPANI BO02728 F 230V 50HZ |
| 010009052 | Front-loading washing machine | LBCF BOMP 4C60P-2 BOMPANI BO02720-98 I 230V 50HZ |
| 010009053 | Front-loading washing machine | LBCF BOMP 5C60P-2 BOMPANI BO02721-98 I 230V 50HZ |
| 010009059 | Front-loading washing machine | LBCF BOMP 10C60X BOMPANI BO02729-98F 230V 50HZ |

By clicking on the title of a column the list is sorted based on the content of the column, and that column becomes the reference column. The first click carries out a sorting in ascending orders, and the second descending. The panel on the right hand side shows the selected machine.

In order to filter the data choose the compare mode from the pull down menu (contains, start with, etc..) digit the value to compare and click [**Filter**]. The filter is applied on the left hand side column (code in this case). The column with the filter changes based on the data sorting (see below).

In order to select other machines on the list, click once on the chosen row.

The first button on the right [**Spare parts schedule**], opens another session with the bill of material of the selected machine.

The second [**Exploded Views**] opens a session with exploded views.

MACHINE SUB SESSION: Spare Parts Schedule

Go back to list machines

Machines
Spare parts
S.P. Order
Client man.
Reports
Invoices
Users
Interface
End work

MACHINE:010009002-LBCF BOMP 5C60 BOMPANI 2771 I 220V50HZ

Spare parts schedule X

Pg.:1/15 ▶ ▶▶ ▶▶▶ ▶▶▶▶ ▶▶▶▶▶

Line:1/283 🔍 🖨 📄

Code Contains Filter

| Code R6 | Old Code | Draw.Code | Expire | Qt | Description |
|-------------|-----------|-----------|------------|----|-------------------------------|
| ▶ 651000242 | 246004400 | CFA040 | 23/09/1988 | 1 | HINGE |
| 651000242 | 246004400 | CFA040 | 31/12/4999 | 1 | HINGE |
| 651000405 | 248004600 | CFC050 | 11/12/2006 | 2 | SOFTENER TRAY GRID |
| 651000529 | 256000300 | CFB750 | 31/12/4999 | 2 | FASCIA REINFORCEMENT BRACKET |
| 651000571 | 258002100 | CFG010 | 31/12/4999 | 1 | SPRING HOOK CROSSPIECE |
| 651000653 | 262000800 | CFG700 | 26/11/2008 | 4 | BUFFER SUPPORT |
| 651000703 | 266013200 | CFG007 | 26/11/2008 | 2 | HEATING ELEMENT SUPPORT PLATE |
| 651000710 | 268001600 | CFG160 | 31/12/4999 | 1 | PULLEY PIPING |
| 651000761 | 268014900 | CFB012 | 31/12/4999 | 1 | TIMER FRONT DOOR PROTECTION |
| 651000996 | 276002301 | CFA030 | 31/12/4999 | 1 | REAR TOP |
| 651001248 | 284000501 | CFA140 | 31/12/4999 | 1 | FILTER COVER |
| 651002116 | 324000916 | CFE080 | 20/12/1993 | 1 | DOOR HANDLE |
| 651002118 | 324000918 | CFE080 | 31/12/4999 | 1 | DOOR HANDLE |
| 651002295 | 326004100 | CFB050 | 31/12/4999 | 1 | TIMER KNOB WITH DISPENSER CAM |
| 651002416 | 326037000 | CFB060 | 31/12/4999 | 1 | TIMER KNOB |

Selected spare part

651000242
 CERNL OBL ROT 1V 90G ZINC
 PANFRO F CFII-LAII

Price

Validity

Tot.In.Ord.

Aggregates list

The grid works as described previously for the machines. On the right hand side the spare part selected. In order to modify the quantity on the order click on the shopping trolley

Machines Spare parts S.P. Order Client man. Reports Invoices Users Interface End work

MACHINE:010009002-LBCF BOMP 5C60 BOMPANI 2771 I 220V50HZ

Spare parts schedule

Pg.:1/15 Line:1/283

Code R6 Contains Filter

| Code R6 | Old Code | Draw.Code | Expire | Qt | Description |
|-------------|-----------|-----------|------------|----|-------------------------------|
| ▶ 651000242 | 246004400 | CFA040 | 23/09/1988 | 1 | HINGE |
| 651000242 | 246004400 | CFA040 | 31/12/4999 | 1 | HINGE |
| 651000405 | 248004600 | CFC050 | 11/12/2006 | 2 | SOFTENER TRAY GRID |
| 651000529 | 256000300 | CFB750 | 31/12/4999 | 2 | FASCIA REINFORCEMENT BRACKET |
| 651000571 | 258002100 | CFG010 | 31/12/4999 | 1 | SPRING HOOK CROSSPIECE |
| 651000653 | 262000800 | CFG700 | 26/11/2008 | 4 | BUFFER SUPPORT |
| 651000703 | 266013200 | CFG007 | 26/11/2008 | 2 | HEATING ELEMENT SUPPORT PLATE |
| 651000710 | 268001600 | CFG160 | 31/12/4999 | 1 | PULLEY PIPING |
| 651000761 | 268014900 | CFB012 | 31/12/4999 | 1 | TIMER FRONT DOOR PROTECTION |
| 651000996 | 276002301 | CFA030 | 31/12/4999 | 1 | REAR TOP |
| 651001248 | 284000501 | CFA140 | 31/12/4999 | 1 | FILTER COVER |
| 651002116 | 324000916 | CFE080 | 20/12/1993 | 1 | DOOR HANDLE |
| 651002118 | 324000918 | CFE080 | 31/12/4999 | 1 | DOOR HANDLE |
| 651002295 | 326004100 | CFB050 | 31/12/4999 | 1 | TIMER KNOB WITH DISPENSER CAM |
| 651002416 | 326037000 | CFB060 | 31/12/4999 | 1 | TIMER KNOB |
| 651003804 | 330105200 | CFC020 | 18/05/2003 | 2 | DETERGENT COMPARTMENT COVER |

Selected spare part

651000242
 CERNL OBL ROT 1V 90G ZINC
 PANFRO F CFII-LAI

Price

Validity

Indicare la quantita' da mettere in order and click [Confirm Qty]

Qty

Purchase of the spare parts is carried out with "Parcels", the number of items that comprise the parcel is shown on the left, to modify the quantity on the current order, (in the appropriate box) digit the number of parcels requested and click [**Confirm qnty**], in order to leave things as they are click on [**Cancel**].

The order will appear on the related session (Main Menu' [**S.P. Order**]).

MACHINE SUB SESSION: Exploded views

Machines Spare parts S.P. Order Client man. Reports Invoices Users Interface End work

EXPLODED VIEWS:038094014-COMB TECN IGOS30BH AP TECNOGAS TFCA+300 I 220-240V 50HZ

Table type: Exploded views

Pg.:1/1 Line:6/8

Part Contains Filter

| Part | Description | Type |
|-------------|-------------|------|
| 999016342 | | TV |
| 999016384 | | TV |
| 999016394 | | TV |
| 999029004 | | TV |
| 999033602 | | TV |
| ▶ 999044218 | | TV |
| 999046676 | | TV |
| 999046784 | | TV |

1 / 1 29%

Trova

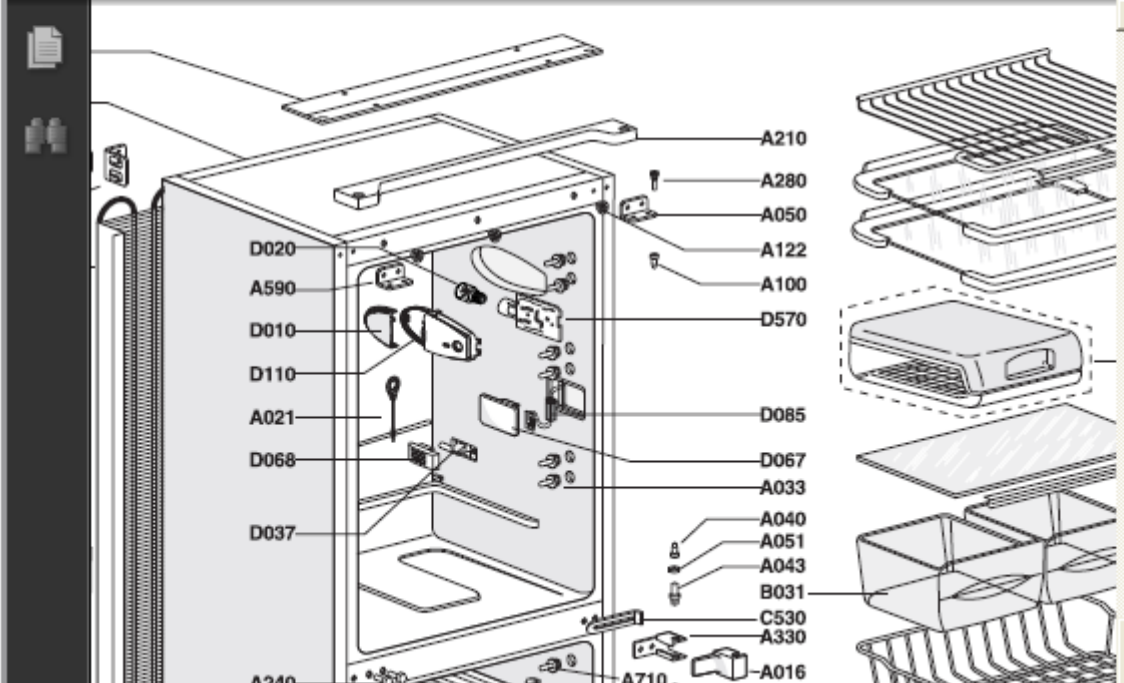
Select

On the left hand side the list of tables related to the selected machine. On the right a preview of the selected table. Select one of the tables in order to check [**Select**].

Machines Spare parts S.P. Order Client man. Reports Invoices Users Interface End work

EXPLODED VIEW: 999044218 038094014-COMB TECN IGOS30BH AP TECNOGAS TFCA+300 I 220-240V 50HZ

Trova



--Select drawing code--

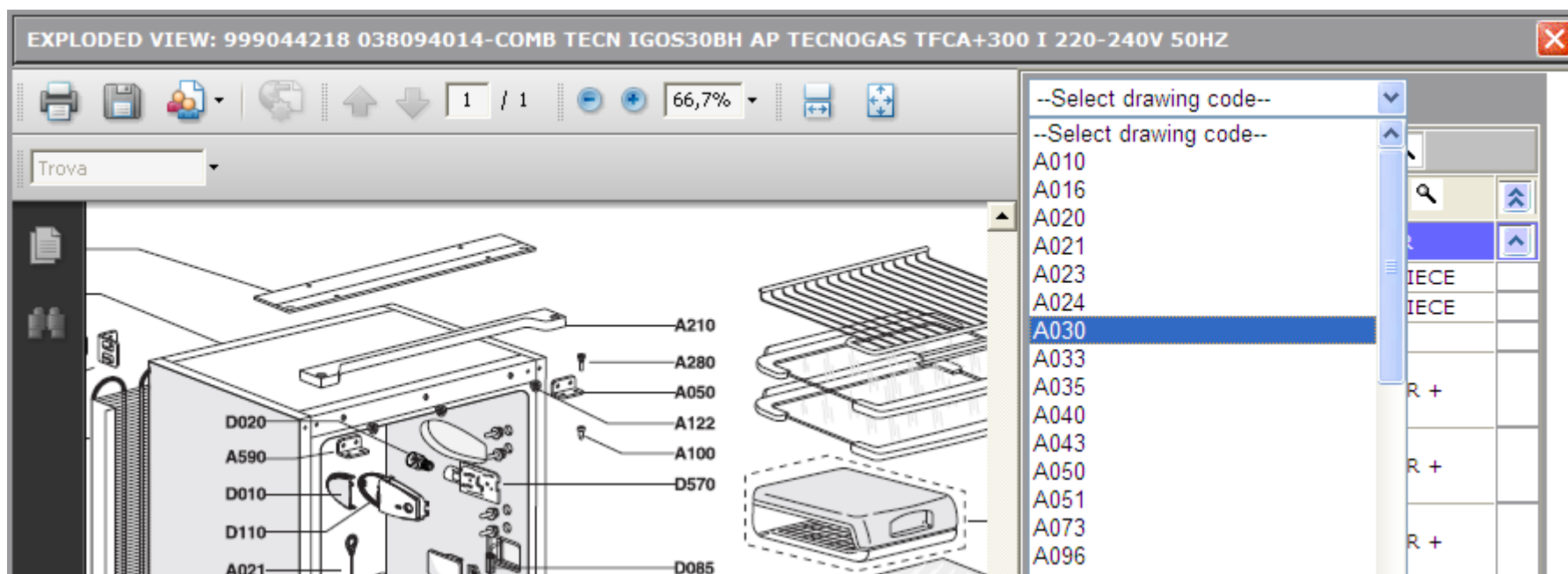
Pg.:1/14 Line:1/110

| Draw.Cc | Description |
|---------|--|
| FRA016 | CENTRAL HINGE COVER |
| FRA020 | COMPRESSOR CROSSPIECE |
| FRA020 | COMPRESSOR CROSSPIECE |
| FRA021 | DRAIN CLEANING ROD |
| FRA023 | RIGHT SUPPORT FOR OVERLAID EVAPORATOR + [N.QTY=2 PCS] |
| FRA023 | RIGHT SUPPORT FOR OVERLAID EVAPORATOR + [N.QTY=10 PCS] |
| FRA023 | RIGHT SUPPORT FOR OVERLAID EVAPORATOR + [N.QTY=10 PCS] |
| FRA023 | RIGHT SUPPORT FOR OVERLAID EVAPORATOR + [N.QTY=10 PCS] |

651003345 - Ex:330036300
 COPE 1M CERNIERA CENTR BIANCO
 300006100 ABS ICO30B

On the left the table with references on the parts and descriptions.

At this stage you can select (form pull down menu on the right hand side) the chosen part and place an order for it following the previously explained procedure (Please note that the shopping trolley and the session to order the spares are not shown on the picture).



SPARE PART (SESSION)

Machines Spare parts S.P. Order Client man. Reports Invoices Users Interface End work

SPARE PARTS LIST

Pg.:1/554 Line:1/11070


Code R6 Contains Filter

| Code R6 | Old Code | Draw.Code | Description |
|-------------|-----------|-----------|---------------------------------|
| ▶ 460005300 | 460005300 | FRB490 | FREEZING GUIDE |
| 460007000 | 460007000 | FRB490 | FREEZING GUIDE |
| 502021200 | 502021200 | CUD097 | ANALOG CLOCK DISPLAY |
| 651000005 | 179000400 | CFH140 | THERMIC CONVEYOR INSULATION |
| 651000006 | 179000500 | LSB330 | TUB SOUNDPROOFING COTTON |
| 651000007 | 179000700 | LSA260 | INNER DOOR SOUNDPROOFING COTTON |
| 651000009 | 179001000 | CFH140 | THERMIC CONVEYOR INSULATION |
| 651000011 | 179001300 | LSB330 | TUB SOUNDPROOFING COTTON |
| 651000012 | 179001400 | LSB330 | TUB SOUNDPROOFING COTTON |
| 651000016 | 179002400 | LSB330 | TUB SOUNDPROOFING COTTON |
| 651000017 | 179002900 | ASA129 | REAR SCROLL SOUNDPROOFING |
| 651000020 | 192020400 | FRA074 | SOUNDPROOF MASTIC |
| 651000024 | 192024700 | LSC020 | TUB UPPER SOUNDPROOFING |
| 651000025 | 192024800 | LSC040 | TUB LOWER SOUNDPROOFING |
| 651000026 | 192024900 | LSA020 | INNER DOOR SOUNDPROOFING |

Selected spare part

460005300
CARGUI CONGEL 1M 1V STAND
S-GRI OCN02 FRIGO

Price
6.2

 **Tot.In.Ord.**
0

Aggregates list
Machines

This list shows ALL spare parts related to machines for a particular customer. On the right hand side the box for selected spare part, from where it can be ordered.

SHOPPING TROLLEY

Machines Spare parts **S.P. Order** Client man. Reports Invoices Users Interface End work

SPARE PARTS ORDER

Number: 7921 2010 Date 5 9 2011

Note

Your ref.

Destination

Change header Confirm/Print order Print order

Pg.:1/1 Line:1/10

| Code R6 | Old Code | Description | Qty | Price |
|-----------|-----------|--|-----|-------|
| 516008000 | 516008000 | TIMER | 1 | 26 |
| 651008704 | 404002500 | GUARNIZIONE SOFFIETTO | 1 | 15.66 |
| 651016770 | 530001500 | MICRO O BLOCCOPORTA | 1 | 6.2 |
| 651016776 | 530002000 | BLOCCOPORTA | 1 | 9.44 |
| 651017747 | 546058900 | MODULO ELETTRONICO | 1 | 60 |
| 651021176 | 704005100 | CESTELLO | 1 | 83.39 |
| 651027591 | 719003300 | ASSIEME MANIGLIA OBLO | 1 | 11.02 |
| 651028092 | 720141400 | ASSIEME COPERCHIO SUPER. | 1 | 34.4 |
| 651065821 | 444007700 | MOLLA CERNIERA - [N.QTY=10 PCS] | 1 | 3.06 |
| 651068205 | 441000100 | ANELLO SERRAGGIO MOLLA CERNIERA - [N.QTY=10 PCS] | 1 | 3.96 |

Selected spare part

516008000
TIMER

Delete order line

Price 26

Tot.In.Ord. 1

Machines

New order line

Import order

Order status

Other addresses

This screen shows the Shopping Trolley. All orders carried out in previously will end up here.

- [**Delete order line**] Remove selected row from order
- [**Machines**] List of all the machines having the part in their part list
- [**New order line**] Add a new row
- [**Import order**] Create a new order reading its lines from a specified file
- [**Order Status**] Show the outstanding orders
- [**Other addresses**] Enter the code for new delivery addresses. Alternative Delivery addresses can then be selected on the header of the order from pull down menu.
- [**Change Header**] Notes and references can be added on the header of the order.
Please note: Click this button once a note or reference is added,
otherwise the changes will not be saved !
- [**Confirm/Print order**] Print, send order and clear the map in order to insert a new one.
- [**Print Order**] Print the order